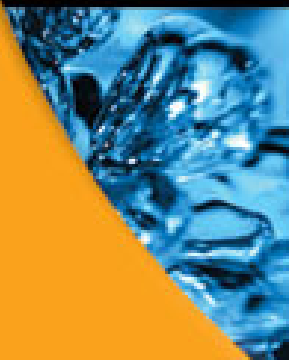




AutovationSM 2007

The AMRA International Symposium



The premier metering resource
for the utility industry

www.amra-intl.org



AutovationSM 2007

The AMRA
International
Symposium

September 30 – October 3, 2007

Reno-Sparks Convention Center | Reno, Nev. USA

www.amra-intl.org

A Complete SOA Solution for AMI Integration

Enrique Villalobos, SDG&E
Joe Zhou, Xtensible Solutions



The premier metering
resource for
the utility industry

Agenda



➤ Agenda

- ❑ Background
- ❑ Service-oriented Architecture (SOA) Strategy
- ❑ Enterprise Integration Concepts
- ❑ Advanced Metering Infrastructure (AMI) Architectural Principles
- ❑ AMI Integration Architecture
- ❑ Enterprise Information Management (EIM) Concepts
- ❑ EIM for SOA
- ❑ Summary

Sempra Energy Utilities



➤ Sempra Energy Utilities

The Sempra Utilities - San Diego Gas & Electric (SDG&E) and Southern California Gas Co. (SoCalGas)—serve California customers from the state's Central Valley to the Mexican border.

❑ San Diego Gas & Electric

SDG&E serves 3.3 million consumers through 1.4 million electric meters and more than 800,000 natural gas meters. The utility's service area spans 4,200 square miles.

❑ Southern California Gas Co.

The nation's largest natural gas distribution utility, SoCalGas serves 19.5 million people through 5.5 million meters. The company's service territory covers 20,000 square miles.

SOA Strategy



SOA Integration Strategy – This is a comprehensive strategy for defining the future direction on Application Integration addressing the key dimensions: people, process and technology.

➤ **People**

- ❑ Creation of an SOA Integration Competency Center (ICC)
- ❑ Combine the existing integration groups – Enterprise Integration Services

➤ **Process**

- ❑ Engage in projects early in the process – business case
- ❑ Formal project review of integration architecture

➤ **Technology**

- ❑ Process (Messaging) Integration for near real-time integration
- ❑ Data Integration technologies for large data transfers or data aggregation
- ❑ Deploy an Enterprise Messaging Framework (Enterprise Service Bus)

SDGE

A  Sempra Energy utility®

Enterprise Integration Concepts



➤ Integration Framework

There are two types of integration that focus on different types of requirements and therefore offer distinct advantages when applied appropriately.

❑ Process Integration

Focused on enabling real-time exchange of business information across multiple applications as part of a specific business process. Web Services, along with an Enterprise Messaging Framework (EMF) facilitate this real-time integration in a secured and standards-based manner that yields greater usability and business agility.

❑ Data Integration

Focused on the movement of data elements from one data store to another primarily to achieve data consolidation, aggregation, business analytics, and/or reporting.

An Enterprise Approach To Integration

- Consider all future integration to leverage one of IT's managed platforms.
- When capturing Integration Requirements, consider whether the integration is Process or Data Oriented.
- When you think of integration, think Enterprise Integration.

Enterprise Integration

Semantic Integration – Enterprise Data Model

Transactional Systems

Decision Support Systems

Web Services

Process Integration
(Real-time)

EDI

Data Integration
(Batch-Oriented)

BI Services

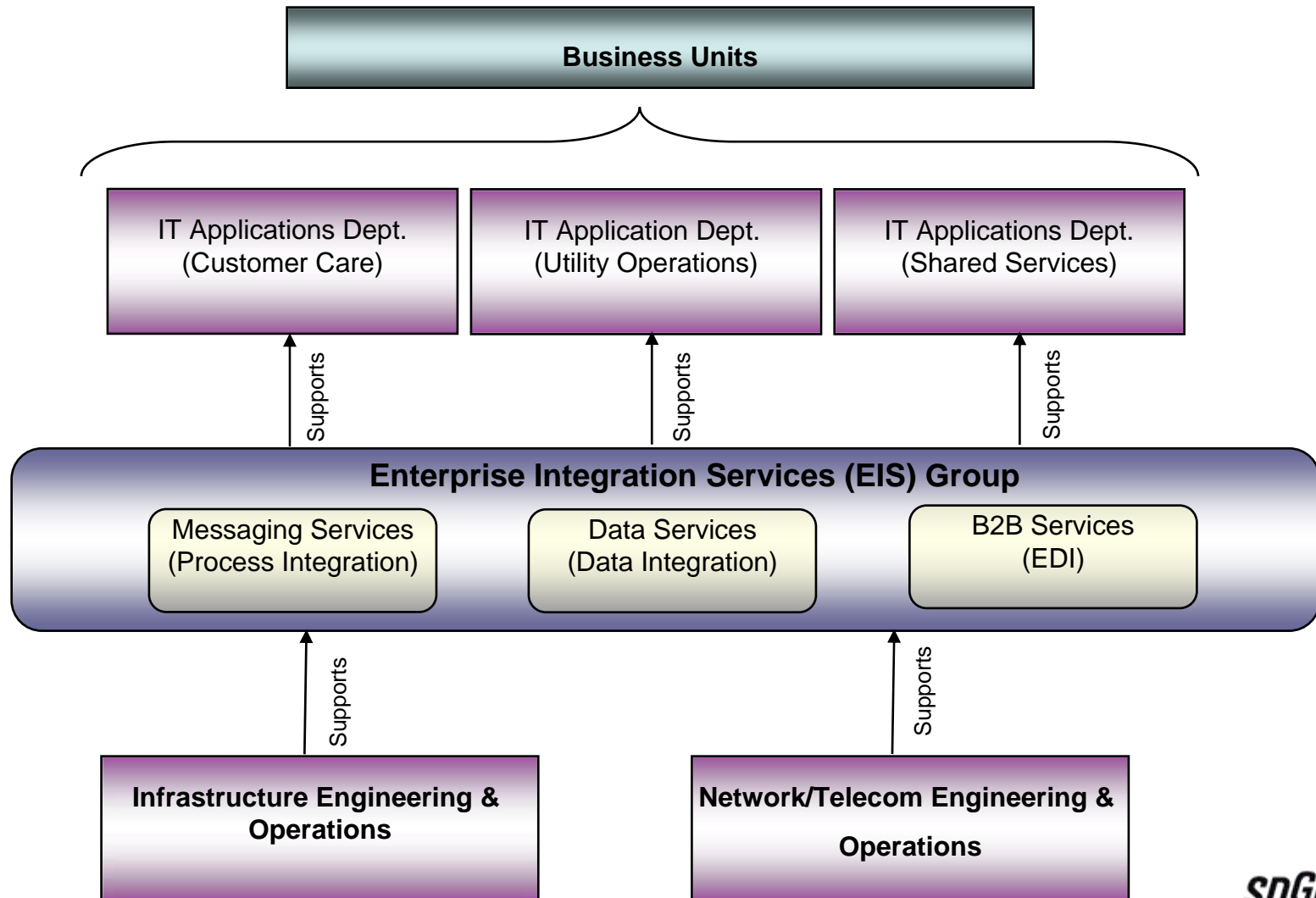
BI Integration
(ETL-Oriented)

Infrastructure

SDGE

A Sempra Energy utility

SOA Integration Support Model

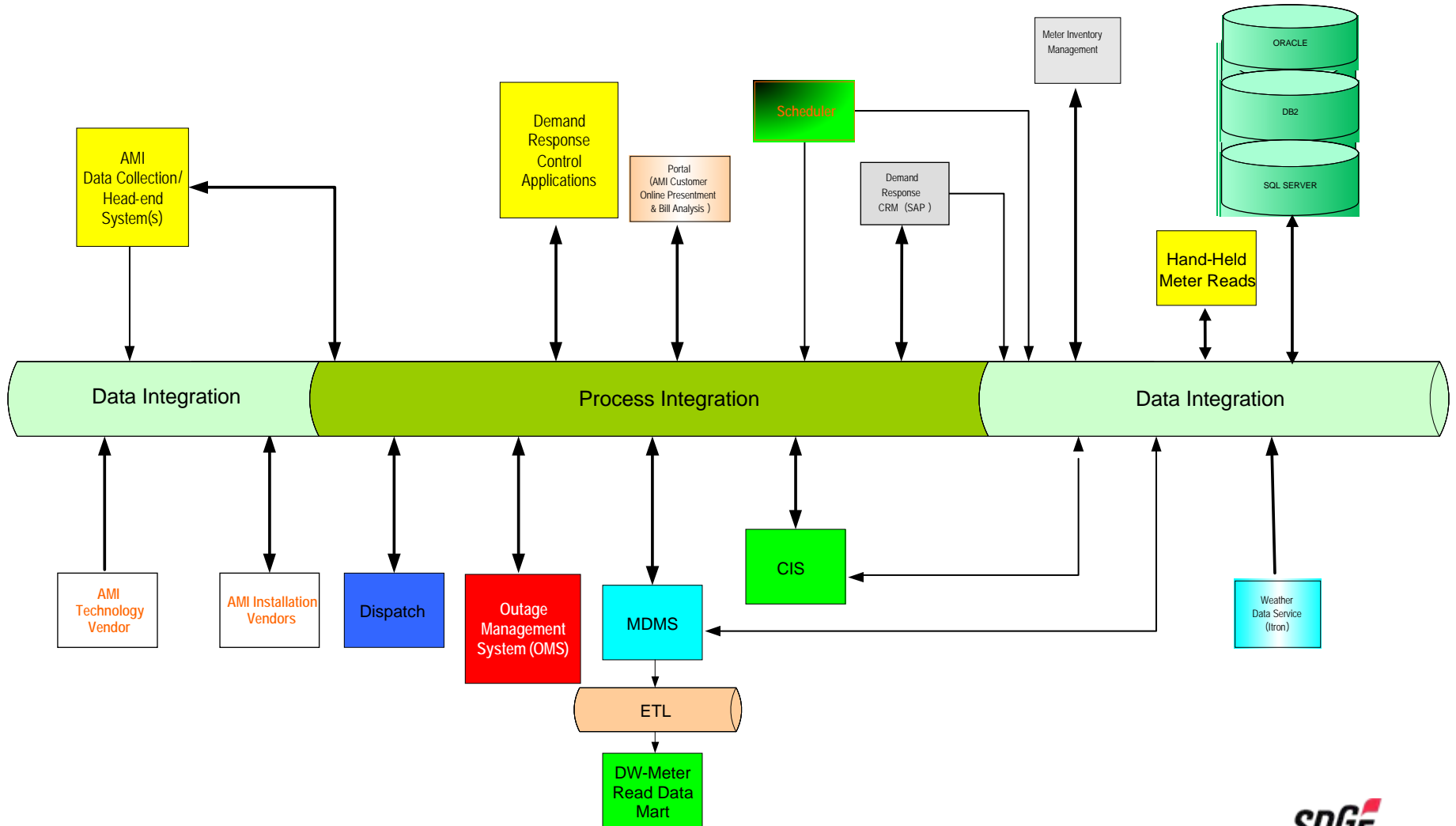


AMI Architectural Principles

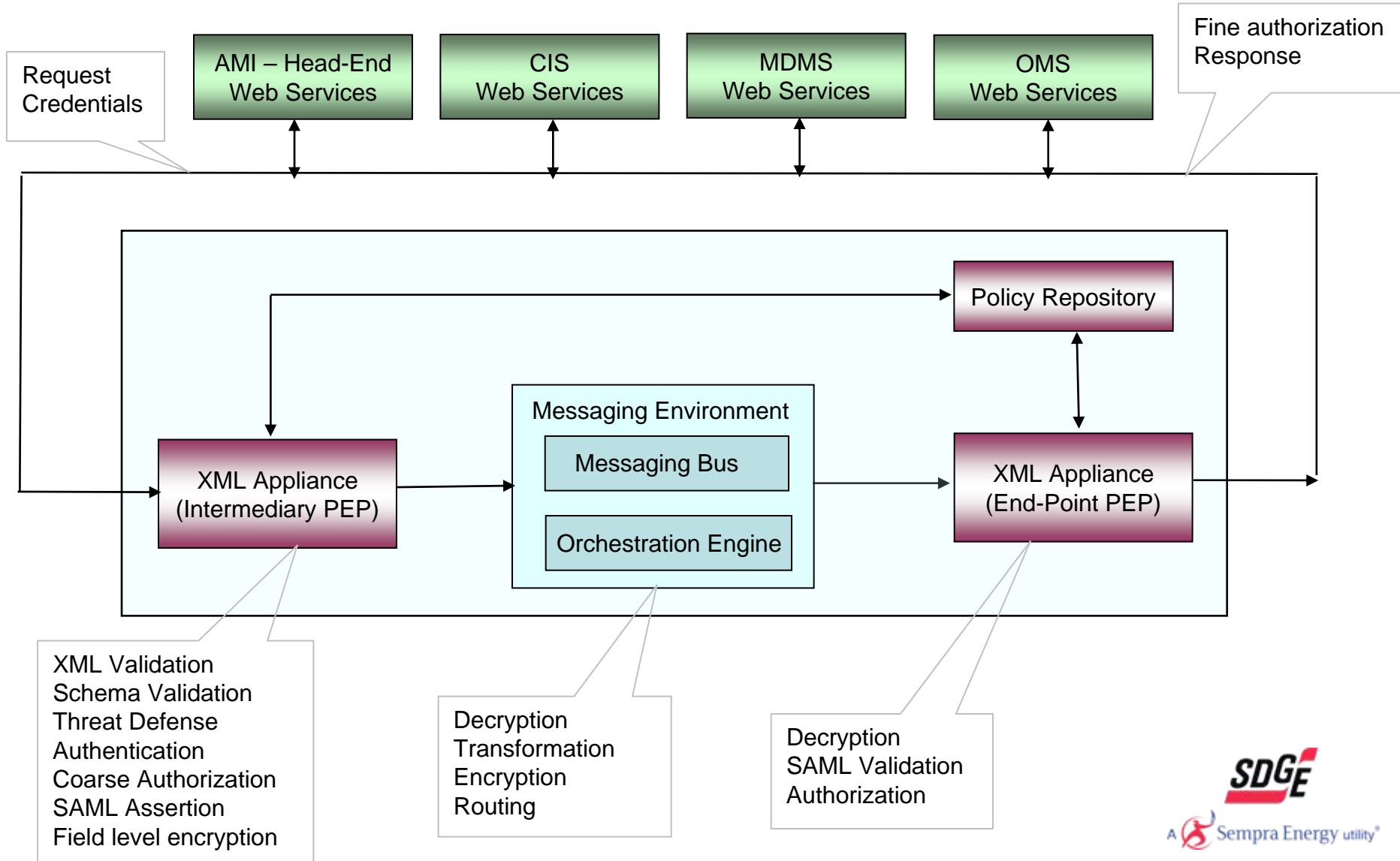


- **Alignment with Business Processes** – All of the architectural deliverables will, in some form, align with the to-be business process definitions.
- **Interoperability** - Solutions need to exist and provide interoperability within the context of a larger portfolio of systems and technologies.
- **Information Security** - Consider the security aspects of all solutions in the context of security standards, and potential vulnerabilities of any solution are considered. This includes classifying and managing all data.
- **Integration** - All integrations will be managed and leveraged an integration environment.
- **System of Record** - An application owner will be assigned to the main information components identified in the data architecture as a mechanism to resolve any conflicts as integrations between applications are deployed.

AMI Application Integration



Integration Architecture

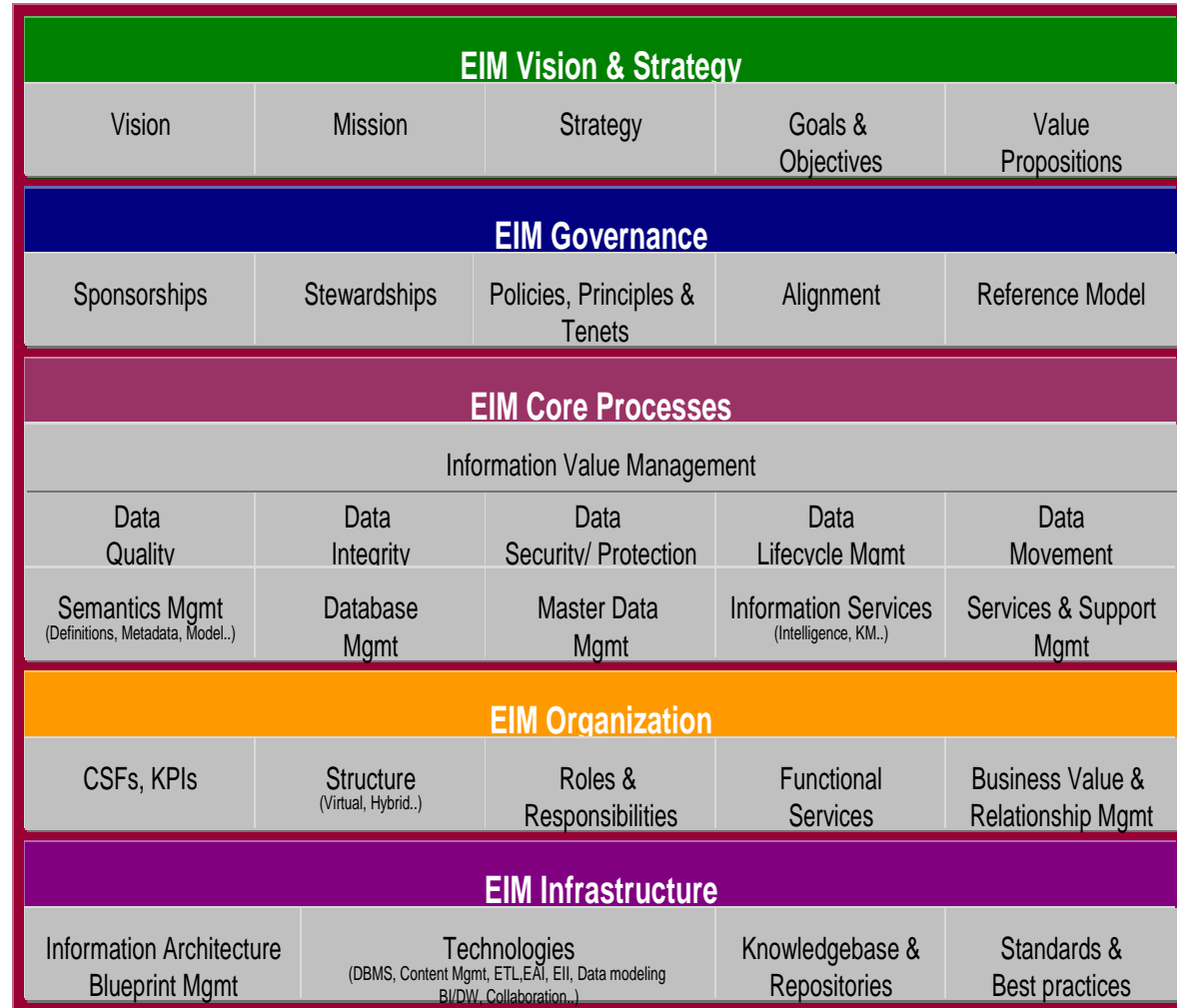


Enterprise Information Management (EIM)

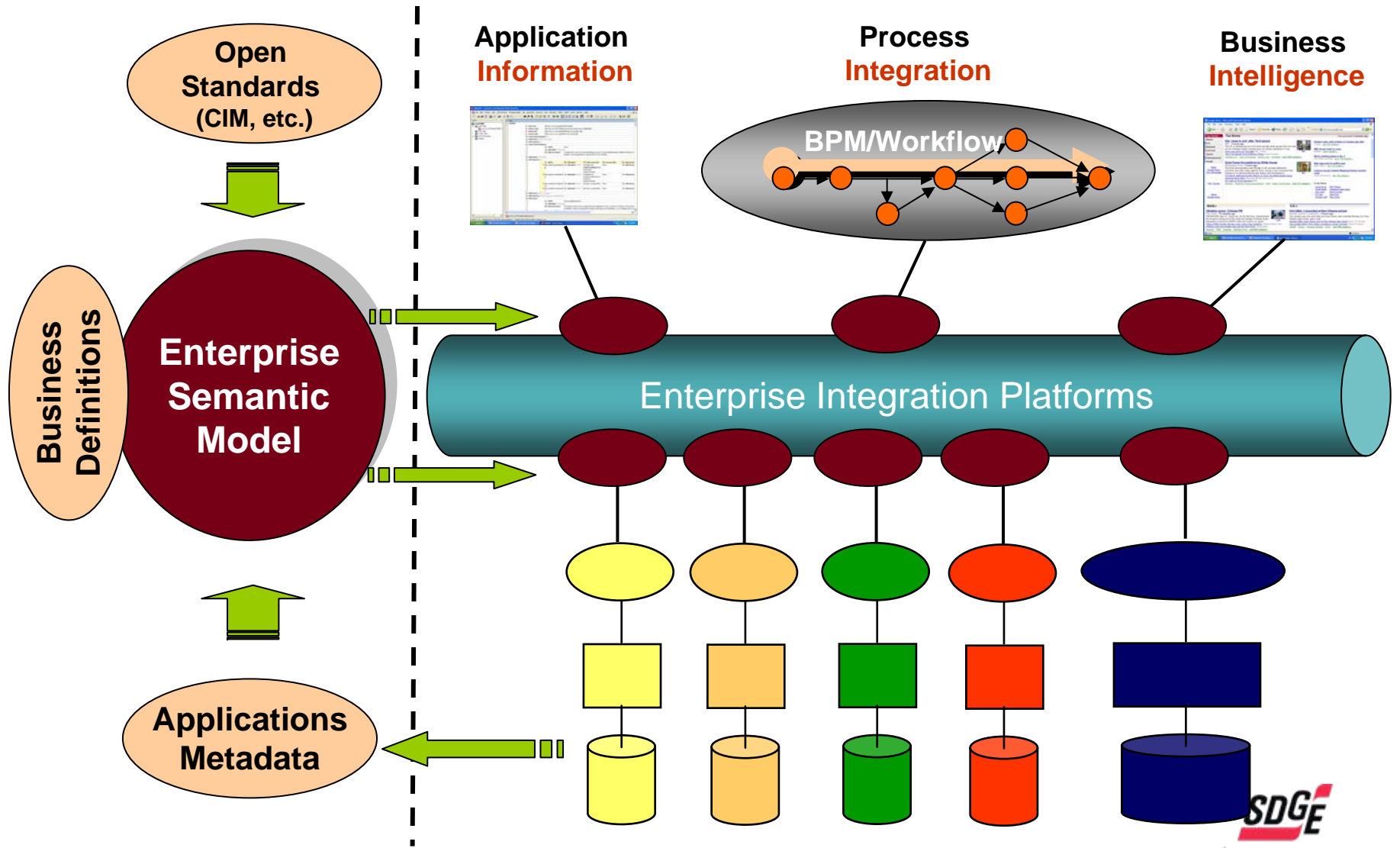


What is EIM?

- A shared commitment between business and IT to invest and manage data/information as assets.
- Establishment of a governance body and processes to execute the commitment.
- Establishment of core competencies (resources and technologies) of EIM.
- Affecting the outcomes of major programs by adopting EIM guiding principles and implementing EIM recommendations incrementally.



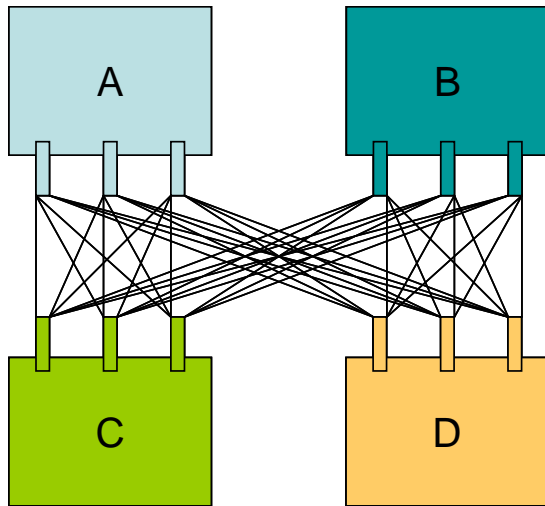
Impact of EIM to Enterprise Integration



ESB + ESM = Complete SOA

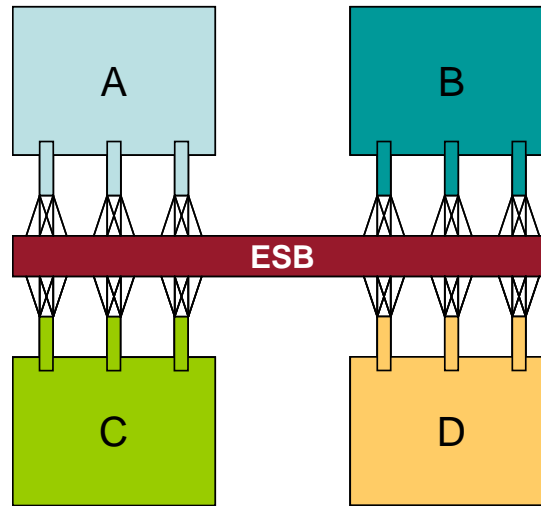


AS-IS



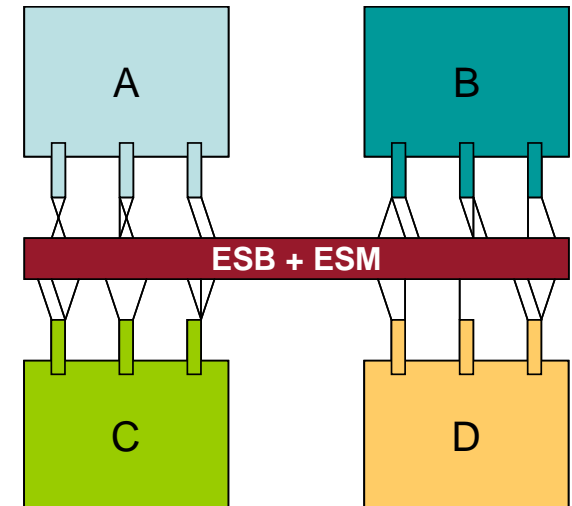
- Point to point
- Complete coupled and ripple effect of change
- Duplication of data and logic, no control of data quality and consistency
- Costly to maintain and change
- Can't enable business process integration

With ESB



- Interoperability through Web Services technology
- Managed integration
- Reuse of connectivity of systems to ESB
- Reuse of application level services
- Enable business process integration

With ESB+ESM



- Interoperability through common semantics
- Complete decouple of systems
- Reuse of services, leads to less number of interfaces
- Reduce total cost of ownership
- Improve data quality and consistency
- Enable higher level business services (information, intelligence, process, etc.)

EIM/SOA Value Propositions



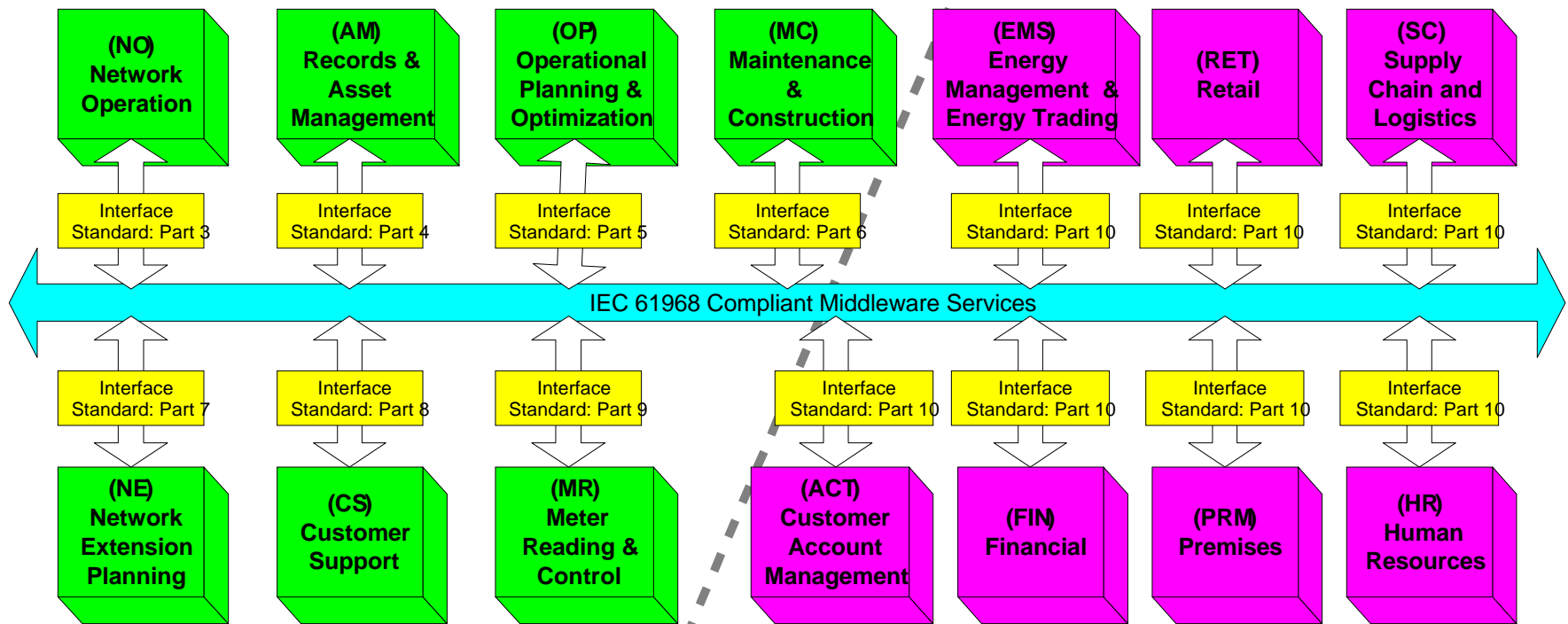
- Enables business to take ownership, responsibility and accountability for the improvement of data quality and information accuracy and consistency.
- Enables business to establish single version of truth for data over time.
- Improves business process and operational efficiency and effectiveness.
- Provides a strategy and technique to mitigate the risks as well as maximize the value of implementing commercial packaged applications.
- Reduces the number and effort of integration over time.
- Enables the control of unnecessary data duplication and proliferation.
- Enables a more flexible and scalable process integration.
- Improves the data quality, integrity, consistency, availability, and accessibility over time.
- Maximizes the return on investment of SOA related technologies.
- Establishes a critical component of the Enterprise Architecture.

Leverage IEC CIM & 61968 for AMI SOA



Distribution Management Business Functions

Business Functions External To Distribution Management



Electric Distribution Network Planning, Constructing, Maintaining, and Operating

Generation and Transmission Management, Enterprise Resource Planning, Supply Chain, and General Corporate Services



Where We Are.....



- **AMI (Smart Meter) program is in full swing.**
- **Enterprise Integration Services (EIS) group formally established to work with Smart Meter program in SOA implementation.**
- **Establishing repeatable SOA methodology, architecture and design for refinement and future reuse.**
- **Leveraging EIM concepts and using IEC CIM & 61968 standards to ensure a complete SOA solution for AMI.**
- **Establishing EIM strategy, roadmap, and business case for Sempra Energy utilities.**



Questions and Comments are Welcome.

- *For more information, please contact:*
- *Enrique Villalobos: evillalobos@semprautilities.com*
 - *Joe Zhou: jzhou@xtensible.net*